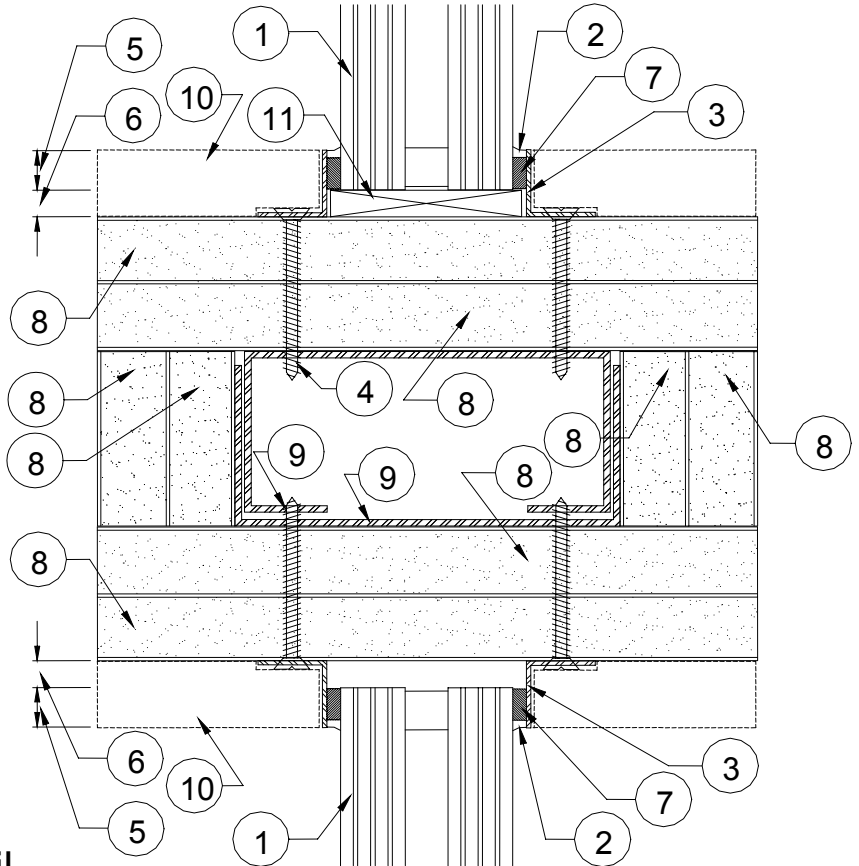


**SGG SWISSFLAM 120-N2 / SGG CONTRAFLAM 120-N2**  
**(Interior Use)**

**INSTALLATION DETAIL #9B**

- ① Swissflam/Contraflam  
120-N2 2 1/8" o.a. (56mm)
- ② Cont. Silicone
- ③ 5/8"x5/8"x.040 Cont. Steel
- ④ Stop  
(Min. #10x1 1/2" Flat)
- ⑤ 3/8" Min. Glass
- ⑥ 1/4" Edge Clearance
- ⑦ Closed Cell PVC
- ⑧ 5/8" Type "X" Gyp.
- ⑨ Steel Stud
- ⑩ Finish As Req'd. By
- ⑪ Setting Block (3"



**120 Min. Mullion Detail**



**INSTALLATION**

SGG Swissflam / SGG Contraflam should be installed only into listed fire rated assemblies with suitable setting blocks and tape. Allow for glass edge coverage of 3/8" and a minimum perimeter clearance of 3/16". Do not pressure glaze. Check that the opening is plumb and square. Inspect carefully before installation, do not install glass which has visible edge or surface damage. Do not remove edge tape or protective sealant material. Damage to edge tape may indicate glass damage. Place setting blocks (3" min) at sill, located at approx. quarter points. Direct glass-to-perimeter frame contact should be strictly avoided. Check perimeter clearance and adjust setting blocks as needed. For use in interior fire rated wood, steel stud, gypsum board, concrete or masonry openings.

**LABELING**

Each piece of SGG Swissflam / SGG Contraflam shall be labeled, in accordance with NFPA 80, with the Vetrotech Saint-Gobain / Warnock Hersey International (WHI) identifying mark.

