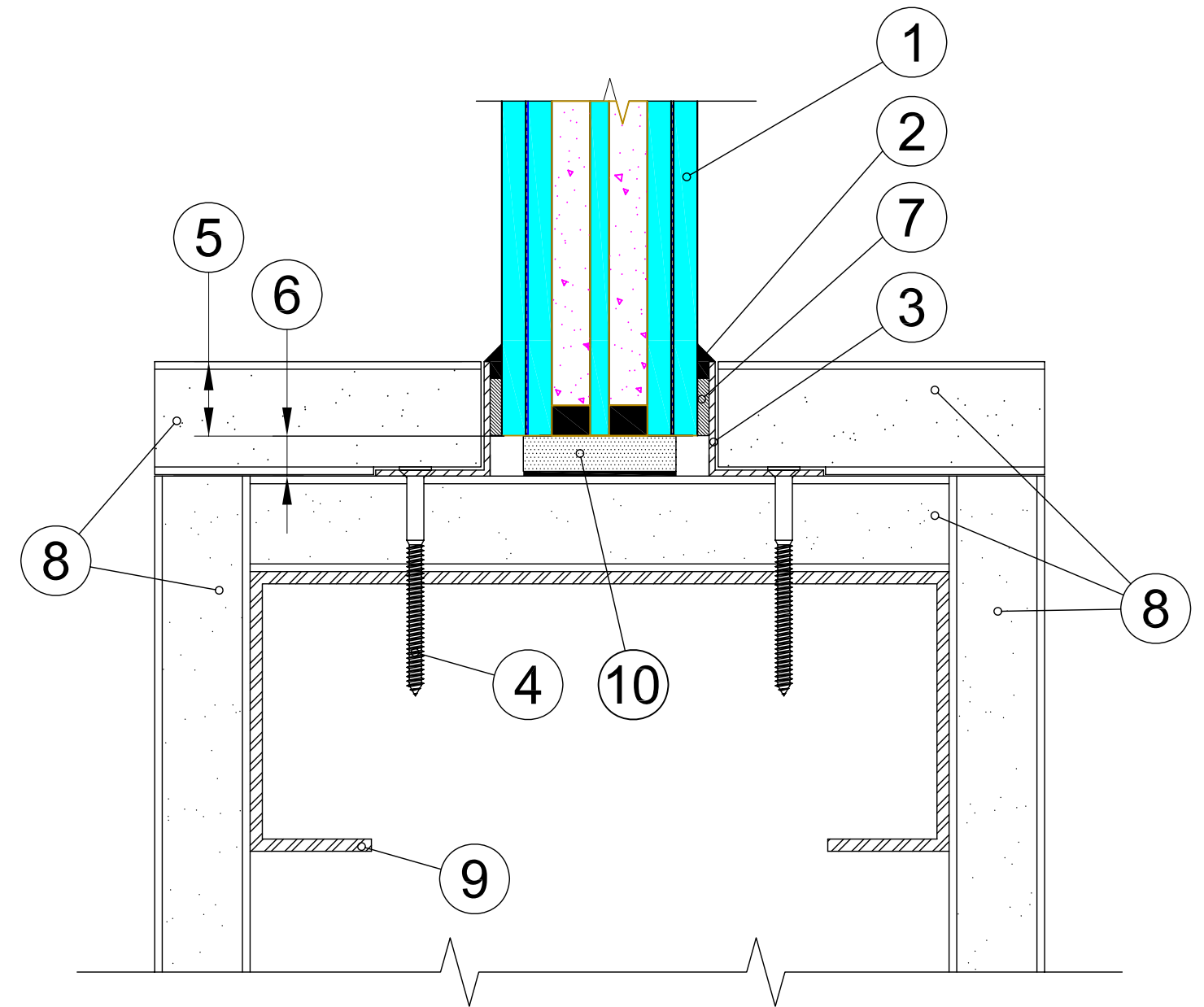


- 1 Swissflam 60 Structure 1-1/4" (32mm)
- 2 Continuous standard one part Silicone Sealant (such as: GE 1000) - By others
- 3 3/4" x 3/4" x .040" Cont. Steel Angle - By others
- 4 Stop Fastener (Min. #10x1 1/2" Flat Head) - By others
- 5 3/8" Min. Glass Bite - By others
- 6 1/4" Edge Clearance Type - By others
- 7 Closed Cell PVC Tape - By others
- 8 5/8" or 3/4" Type "X" Gyp. Board
- 9 Steel Stud Framing
- 10 Setting Block - 3" Min. (sill only)



A
PERIMETER DETAIL