

## Fire Resistant Tempered Safety Glass

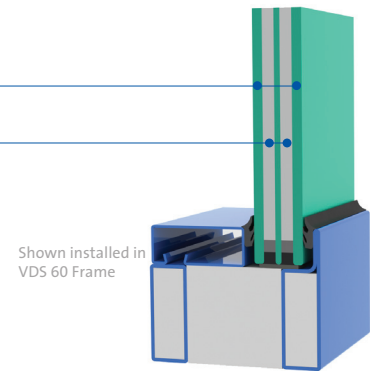
### CLASSIFICATION



### PRODUCT FEATURES

Tempered Safety Glass

Intumescent Interlayer



### TECHNICAL SPECIFICATIONS

Fire Resistive	60 Minute
Testing / Compliant	Listed and labeled with Underwriters Laboratories Inc. File #R14515, Tested in accordance with ASTM E 119, NFPA 80, NFPA 251, NFPA 252, NFPA 257 UL 10C & UL 263 CPSC 16CFR PART 1201 (CATEGORIES I & II)
Impact Safety Rating	
Nominal Thickness	1" (25 mm)
Thickness Tolerance	+ 1/8" to - 1/16" (3 mm to 1.5 mm)
U value (BTU/hr*sqft/°F)	0.76
STC Rating	40
Weight (lbs/sq.ft.)	11
Visible Light Transmission	~ 82%

### AUTHORIZED DIMENSIONS

Rating	Application	Max Exposed Area of Glass (Sq In.)	Max Width of Exposed Glass	Max Height of Exposed Glass	Min Depth of Groove	Groove Width	Building Code Marking <sup>1</sup>	UL Design Numbers <sup>1</sup>
1 hr	Door	2685	30"	89-1/2"	7/8"	1-1/16"	D-H-NT-60	
1 hr	Window Transom Sidelight	4449	94-13/16"	94-13/16"	7/8"	1-1/16"	D-H-NT-60, OH-60	U439, U542, U543, U544, U547, U548

<sup>1</sup> See Reference Page