

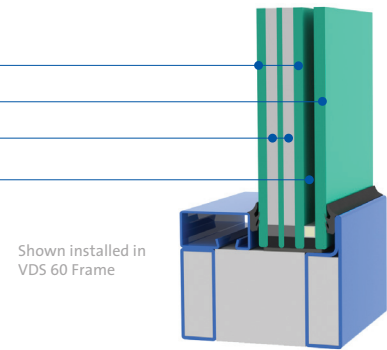
## Fire Resistant Tempered Safety Glass - Exterior Application

### CLASSIFICATION



### PRODUCT FEATURES

- Tempered safety glass
- Outboard lite<sup>1</sup>
- Intumescent interlayer
- Air space



Shown installed in VDS 60 Frame

### TECHNICAL SPECIFICATIONS

Fire Resistant	60 Minute
Testing / Compliant	Listed and labeled with Underwriters Laboratories Inc. File #R14515, Tested in accordance with ASTM E 119, NFPA 80, NFPA 251, NFPA 252, NFPA 257 UL 10C & UL 263
Impact Safety Rating	CPSC 16CFR PART 1201 (CATEGORIES I & II)
Nominal Thickness	1-1/2" (38 mm)
Thickness Tolerance	+ 1/8" to - 1/16" (3 mm to 1.5 mm)
U value (BTU/hr*sqft/°F)	0.34
STC Rating	44
Weight (lbs/sq.ft.)	15
Visible Light Transmission	~ 80%

### AUTHORIZED DIMENSIONS

Rating	Application	Max Exposed Area of Glass (Sq In.)	Max Width of Exposed Glass	Max Height of Exposed Glass	Min Depth of Groove	Groove Width	Building Code <sup>2</sup> Marking	UL Design <sup>2</sup> Numbers
1 hour	Door	2685	30"	89-1/2"	7/8"	1-1/16"	D-H-NT-60	
1 hour	Window Transom Sidelight	4449	94-13/16"	94-13/16"	7/8"	1-1/16"	D-H-NT-60 OH-60	U439, U542, U543, U544, U547, U548

<sup>1</sup> See Glass Options Page

<sup>2</sup> See Reference Page