

20 minute Fire Rated Full Vision Door

CLASSIFICATION



PRODUCT DESCRIPTION

Complete door system, including sGGPYROSWISS®, clear, wire-less safety glass, door frame and hardware (pivoting hardware and center locking device with lever)

TECHNICAL SPECIFICATIONS

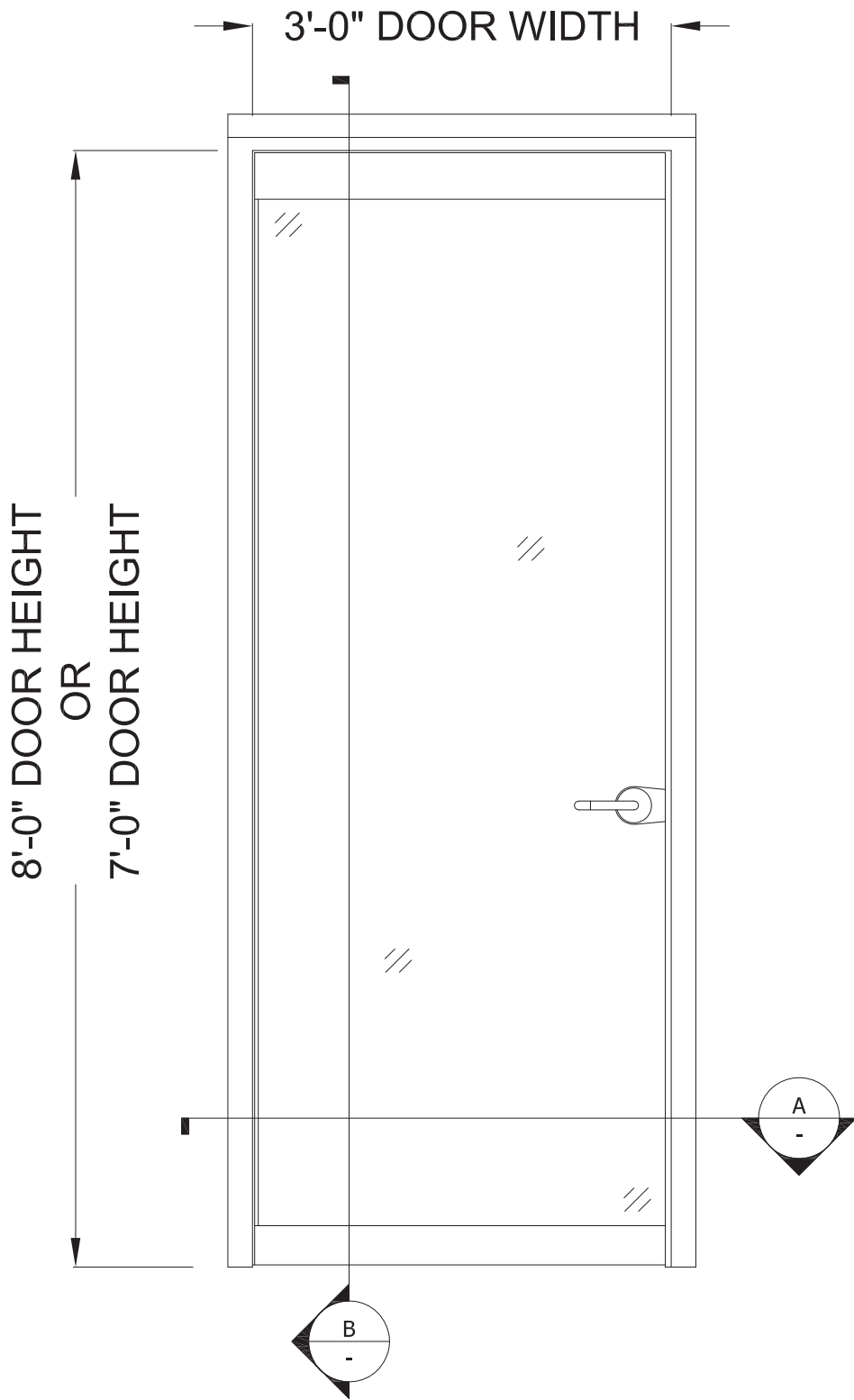
Meets/Compliant	NFPA 80, NFPA 251, NFPA 252
Impact Safety Rating	CPSC 16 CFR part 1201 CATEGORIES I & II
Finish Option	Aluminum / Stainless Steel / Bronze: #4 Satin or #8 High Polish
Sizes	3'0 x 7'0 & 3'0 x 8'0
Fabrication	Welded / Cladded
Certification	ITS / Warnock Hersey
Fabricated in the US	Yes
Glazing Options	sGGPYROSWISS® 20, Single Doors Only
Weight (lbs.)	240 & 260
Temperature Rise	No

NOTES:

Doors: All doors to be supplied with top and bottom rails that have machined radius ends. All clad rails will have welded ground and polished end caps. Every 20-Minute ALL-GLASS DOOR will be factory glazed and prepped for hardware.

Hardware: 20-minute ALL-GLASS DOOR come with all hardware included. Choose either surface mounted or concealed overhead closer. Standard lock shall be a Schlage D102 center lock complete with RIIO levers and trim.

Frames: Frames come with all door stops, smoke gaskets, and intumescent material installed. Header will have access to the closer. All doors to be adjusted by the glazing contractor prior to owner's acceptance.

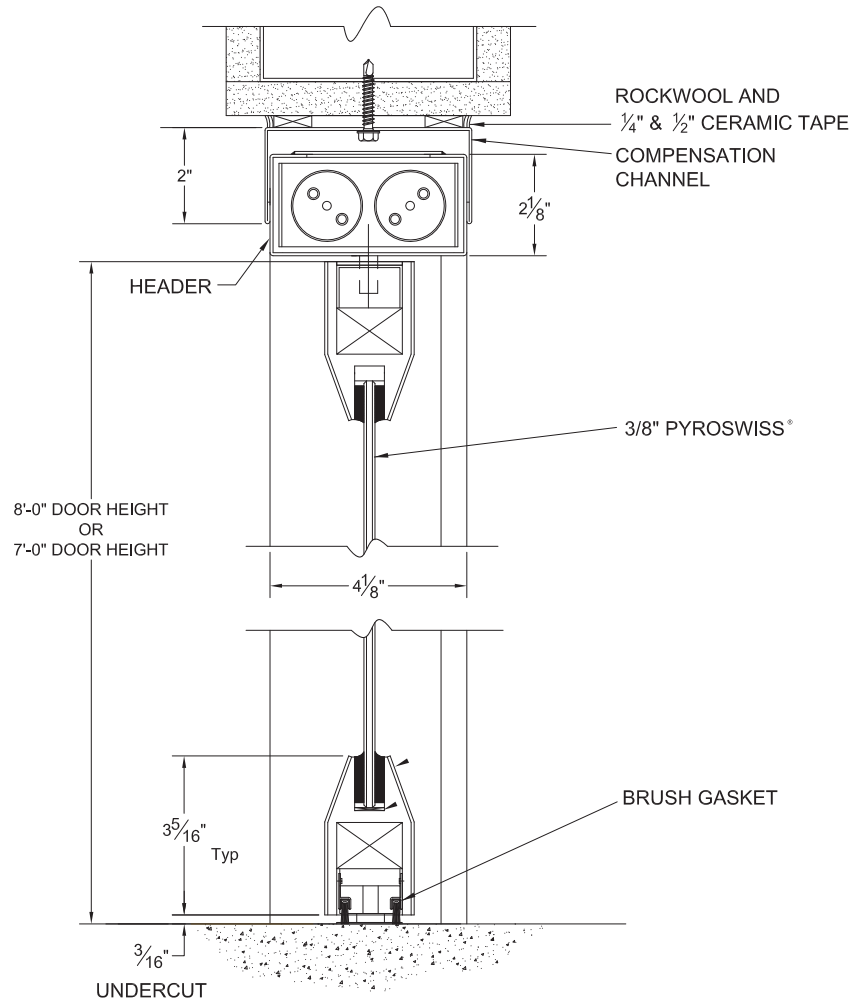


2108 B STREET NW
SUITE 110
AUBURN, WA 98001

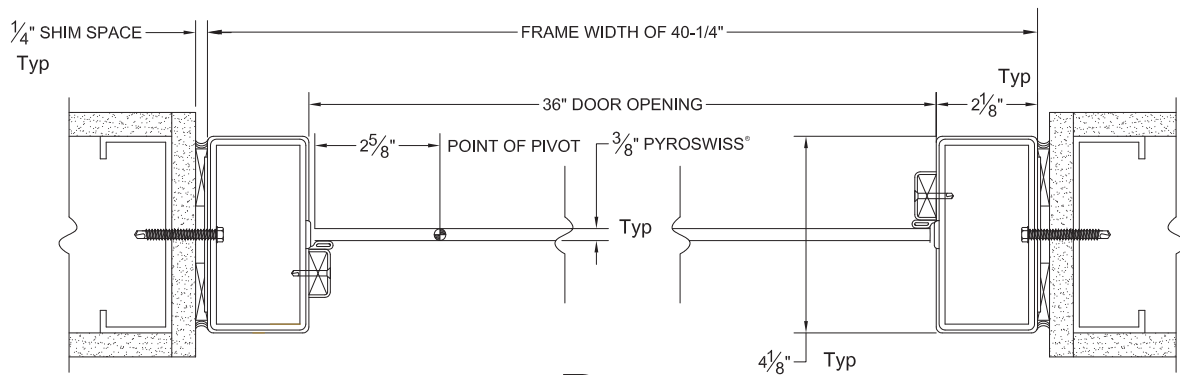
PHONE: 888.803.9533
FAX: 253.333.5166
www.vetrotechusa.com

DESCRIPTION

20 MIN. ALL GLASS DOOR
3'-0" x 7'-0" OR 3'-0" x 8'-0"



A



B



2108 B STREET NW
SUITE 110
AUBURN, WA 98001

PHONE: 888.803.9533
FAX: 253.333.5166
www.vetrotechusa.com

DESCRIPTION

**20 MIN. ALL GLASS DOOR
DETAILS**