

VETROTECH
FIRE RESISTANCE

Saint-Gobain
Glass Solutions



SGG SWISSFLAM® LITE SFL60-N2

Fire-test Certification Summary

*Partially Insulating Clear
Fire Resisting Glass*

*Hardwood Screen / Partition
62 Minutes Integrity
18 Minutes Insulation*

Test Institute: Warrington Fire Research Centre
Test Number: 122149
Test Standard: BS EN 1364: Part 1:1999
Test Sponsor: Vetrotech Saint-Gobain
International AG

SAINT-GOBAIN GLASS PROTECT

SGG SWISSFLAM® LITE SFL60-N2

Test Institute: Warrington Fire Research Centre

Test Number: 122149

Test Date: 18 January 2002

Test Standard: BS EN 1364: Part 1:1999

Test Sponsor: Vetrotech Saint-Gobain International AG

Test Result: 62 minutes integrity
18 minutes insulation

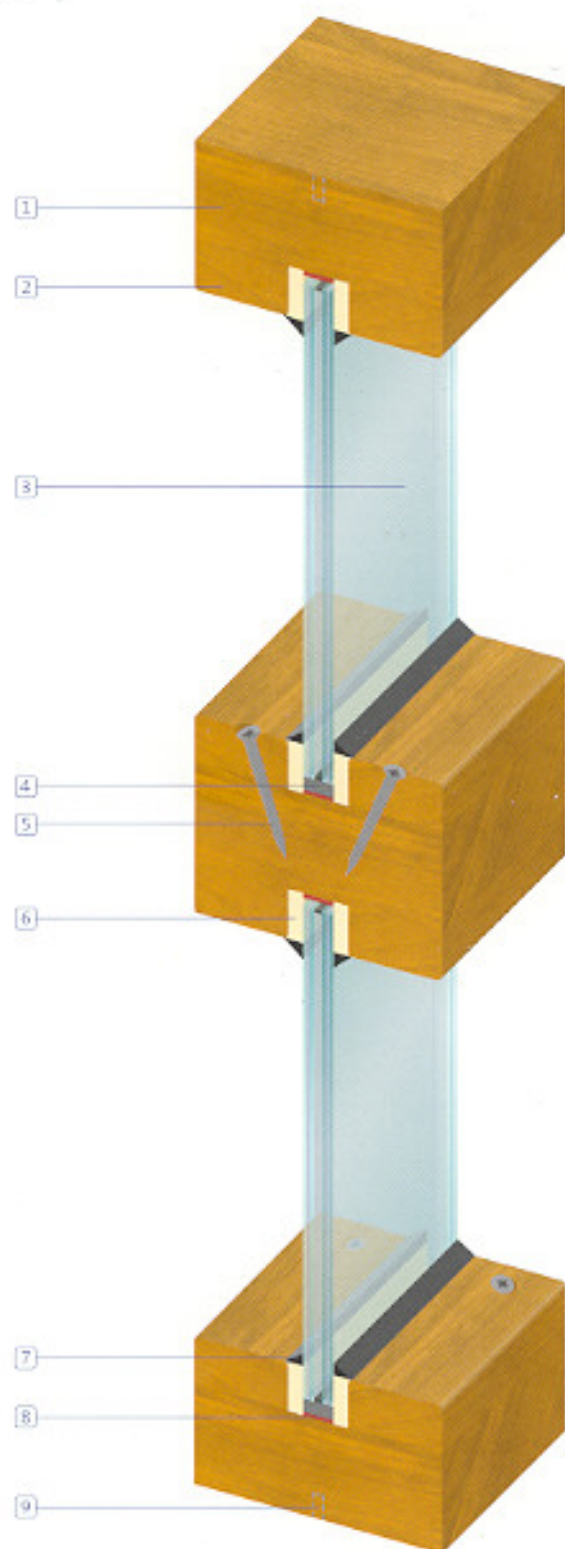
Summary: A multi-panel glazed hardwood timber screen of overall dimensions 2975mm x 2990mm, incorporating a full height mullion and three transom members. Glazed with 5 no. panes of 13mm thick sgg SWISSFLAM LITE SFL60-N2 partially insulating clear fire resisting glass, retained within the frame by screw fixed hardwood timber beads on either face. Subjected to a test in accordance with BS EN 1364-1 for a separating element, to 62 minutes integrity and 18 minutes insulation (EW60).

Elevation



SGG SWISSFLAM® LITE SFL60-N2

Section



Parts List

1. Luan hardwood timber frame
100mm x 40mm
2. Luan hardwood glazing bead
38mm x 20mm
3. SGG SWISSFLAM LITE SFL60-N2
partially insulating clear fire
resisting glass
4. Non-combustible setting blocks
80mm x 14mm x 5mm
5. Counter sunk wood screws
4.9mm diameter x 75mm @
300mm centres with a skew
angle of 30 degrees
6. Kerafix ceramic glazing tape
20mm x 5mm (compressed
to 3mm)
7. Silicone capping
8. Flexpan 200 intumescent strip
14mm x 2mm
9. Fischer anchor bolts 10mm
diameter x 115mm long

SGG SWISSFLAM® LITE SFL60-N2

Construction

The frame was made from Luan hardwood, with a stated density of 650kg/m³. The perimeter frame along with the transoms and mullions had section dimensions 100mm x 40mm. All timber joints were mortice and tenon. The perimeter frame was fixed using 'Fischer' anchor bolts 10mm diameter x 115mm long at 300mm centres. The frames were glazed with SGG SWISSFLAM LITE SFL60-N2 glass, supported on 'Promatect H' setting blocks 80mm x 14mm x 5mm, 2 no. per glass pane. Between the face of the glass and the glazing bead, Kerafix ceramic paper tape 25mm wide x 6mm thick (compressed to 3mm) was fitted. Directly underneath the glass edges, to the inside faces of each aperture, 'Flexpan 200' intumescent strip 14mm wide x 2mm was fitted. The glazing beads were also of Luan hardwood 38mm wide x 20mm deep. The timber beads were attached to the frame with 4mm diameter x 60mm long counter sunk steel wood screws, with a skew angle of 30 degrees fitted at 150mm centres.

Performance

The specimen satisfied the performance requirements specified in Clause 11 of BS EN 1364-1, for a separating element, for the following periods:

Integrity: 62 minutes
Insulation: 18 minutes

Glazing

1no. 1497mm wide x 797mm high
1no. 1345mm wide x 797mm high
2no. 1497mm wide x 988mm high
1no. 1345mm wide x 2030mm high
(Nominal edge clearance 5mm /
Edge cover 15mm ±2mm)

Safety

SGG SWISSFLAM LITE SFL60-N2 partially insulating clear fire resisting glass is a Class A safety glazing material, in accordance with BS 6206:1981.

Product Description

SGG SWISSFLAM LITE SFL60-N2 is a partially insulating clear fire resisting glass. Produced from high performance laminated safety glass incorporating an advanced intumescent interlayer, which when exposed to fire turns opaque to form a fully partially insulating barrier to heat, smoke and flames. For use in doors and partitions of steel or timber construction, for 60 minutes integrity and radiated heat control (EW60) fire resisting applications.

Installation

SGG SWISSFLAM LITE SFL60-N2 should be glazed in accordance with our recommendations to ensure full compliance with the relevant fire-test certification. Each panel must be ordered to the correct size and shape, as the product cannot be cut down on site after manufacture. Any subsequent alterations required to size or shape can only be carried out at an authorised cutting station or approved stockist. As part of the production process, SGG SWISSFLAM LITE SFL60-N2 has a special metallic protection tape applied to the glass edges. This must not be removed under any circumstances. The glass should not be glazed in a manner which would allow water to be trapped in the glazing channel as this may contaminate the intumescent interlayers. Once installed the glass should be immediately capped off with a suitable silicone.

Storage and Handling

When handling SGG SWISSFLAM LITE SFL60-N2, particular care should be taken to avoid mechanical damage to the glass edges. Abrasions to glass panels which result in damage to the protective edge tape should not be installed, as the intumescent interlayer may be contaminated. Such panels should be inspected and replaced as necessary. SGG SWISSFLAM LITE SFL60-N2 should be stored in a dry environment. The glass edges should be supported on timber battens or other non-abrasive materials and stacked upright. During storage, the glass should not be exposed to temperatures likely to exceed or fall below +45°C / -10°C.

Maintenance

SGG SWISSFLAM LITE SFL60-N2 glass requires no special maintenance procedures. Once installed the glass should be cleaned regularly using warm water and a liquid detergent, washed down with clean water. Damaged or broken panels should be replaced, as this could affect the fire performance capabilities of the product.

Technical Advice

A Technical Advice Service is in daily operation at Vetrotech Saint-Gobain U.K. Ltd. where comprehensive information can be obtained on the correct use and application of the wide range of fire resisting glass products available.

If you would like more information or help, please call Vetrotech Saint-Gobain on 0113 239 1500 or contact us by email on infovsguk@vetrotech.co.uk

SAINT-GOBAIN
GLASS

VETROTECH
Saint-Gobain
Glass Solutions

VETROTECH SAINT-GOBAIN U.K. LTD
Glenewes House, Gateway Drive, Yeadon, Leeds, LS19 7XY
T: 0113 239 1500 F: 0113 239 1511 E: infovsguk@vetrotech.co.uk www.vetrotech.com

Represented by