

SGG PYROSWISS® EXTRA
Fire-test Certification Summary

*Clear Fire Resisting
Safety Glass*

*Double-Action, Double Leaf Steel Door-Set &
Glazed Screen Assembly
61 Minutes Integrity*

*Test Institute: Warrington Fire Research Centre
Test Number: 103798
Test Standard: BS 476: Part 22:1987
Test Sponsor: Vetrotech Saint-Gobain
International AG /
Hermann Forster AG*

SGG PYROSWISS® EXTRA

Test Institute: Warrington Fire Research Centre

Test Number: 103798

Test Date: 29 July 1998

Test Standard: BS 476: Part 22:1987

Test Sponsor: Vetrotech Saint-Gobain International AG / Hermann Forster AG

Test Result: 61 minutes integrity

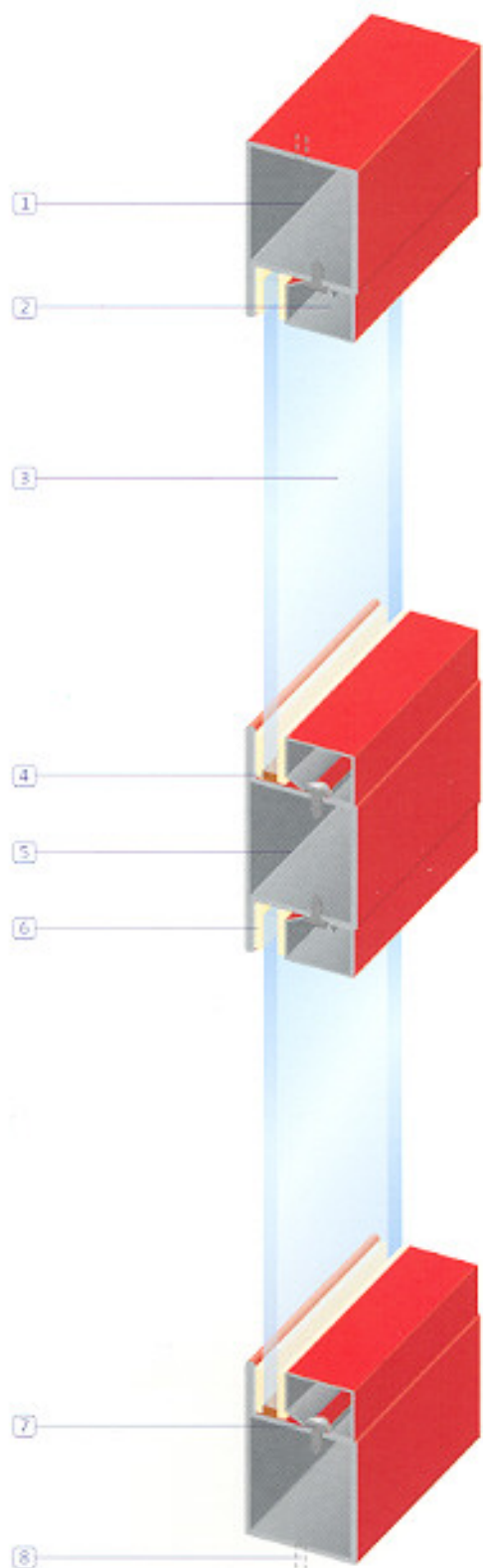
Summary: A double-action, double leaf steel door-set containing leaves of 1187mm x 2185mm, incorporated within a multi-panel glazed mild steel screen assembly of overall dimensions of 3005mm x 3021mm, incorporating two full height mullions and one full width transom member. Glazed with 10 no. panes of 6mm thick SGG PYROSWISS EXTRA clear fire resisting safety glass, retained within the frame by mild steel glazing beads, which, were snap fitted over glazing studs fixed to the framing members on the exposed face. Subjected to a test in accordance with Clause 8 of BS 476: Part 22:1987 to 61 minutes integrity.

Elevation



SGG PYROSWISS® EXTRA

Section



Parts list

1. Forster Presto mild steel profiles – ref. no. 01.570
2. Forster Presto snap-on glazing beads – ref. no. 901.246
3. SGG PYROSWISS EXTRA clear fire resisting safety glass
4. Hardwood setting blocks 80mm x 10mm x 6mm
5. Forster Presto mild steel profiles – ref. no.02.570
6. Kerafix ceramic glazing tape 20mm x 5mm (compressed to 3mm)
7. Forster Presto glazing studs – ref. no. 906578
8. Expanding anchor bolts M8 x 100mm @ 460mm centres
9. Dorma top pivot – type 7421
10. Sealmaster N605/IMP intumescent smoke seals to frame and door leaves
11. Dorma floor springs – ref. no. BTS 80, size 3

SGG PYROSWISS® EXTRA

Construction

The perimeter frame was made from Forster Presto mild steel profiles ref. no. 01.570, and had section dimensions of 50mm x 70mm including a 20mm glazing up-stand. The transoms and mullions were of the same system type ref. no. 02.570 and had section dimensions of 50mm x 90mm. The perimeter frame was fixed using expanding anchor bolts M8 x 100mm long at 460mm centres. The multi-panel glazed screen incorporated a double-action, double leaf, door-set produced from the same system type using section ref. no's. 32.376, 32.885 and 02. The door was fitted with intumescent seals. The door-sets and frames were glazed with 10 no. panes of 6mm thick SGG PYROSWISS EXTRA clear fire resisting safety glass, supported on Hardwood setting blocks 80mm x 4mm x 6mm, 2 no. per glass pane. Between the face of the glass and the glazing bead, Kerafix ceramic paper tape 20mm x 5mm (compressed to 3mm) was fitted. The glass was retained by Forster Presto, section ref. no. 901.246 snap-on glazing beads over steel glazing studs at 300mm centres and 70mm in from each end. The double door-set was fitted with Dorma closers type 7421 and Dorma floor springs type BTS 80 size 2.

Performance

The specimen satisfied the performance requirements specified in Clause 8 of BS 476 Part 22:1987, for the following period:

Integrity: 61 minutes

Glazing

1080mm wide x 2058mm high
202mm wide x 636mm high
202mm wide x 1028mm high
1167mm wide x 636mm high
(Nominal edge clearance 5mm /
Edge cover 15mm ±2mm)

Safety

SGG PYROSWISS EXTRA clear fire resisting safety glass is a Class A safety glazing material, in accordance with BS 6206:1981.

Product description

SGG PYROSWISS EXTRA is a single sheet of 6mm thick glass. Light and thin the glass possesses high mechanical stability with tempered glass safety characteristics and is heat-soak control tested as standard. Recommended for use in doors and partitions of steel construction for 60 minutes integrity (E60) fire resisting applications.

Installation

SGG PYROSWISS EXTRA should be glazed in accordance with our recommendations to ensure full compliance with the relevant fire-test certification. Each panel must be ordered to the correct size and shape, as SGG PYROSWISS EXTRA cannot be cut or worked on, after manufacture. SGG PYROSWISS EXTRA can be used for both internal and external application.

Storage and handling

When handling SGG PYROSWISS EXTRA, particular care should be taken to avoid mechanical damage to the glass edges. SGG PYROSWISS EXTRA should be stored in a dry environment. The glass edges should be supported on timber battens or other non-abrasive materials and stacked upright.

Maintenance

SGG PYROSWISS EXTRA glass requires no special maintenance procedures. Once installed the glass should be cleaned regularly using warm water and a liquid detergent, washed down with clean water. Damaged or broken panels should be replaced, as this could affect the fire performance capabilities of the product.

Technical advice

A Technical Advice Service is in daily operation at Vetrotech Saint-Gobain U.K. Ltd. where comprehensive information can be obtained on the correct use and application of the wide range of fire resisting glass products available.

If you would like more information or help, please call Vetrotech Saint-Gobain on 0113 239 1500 or contact us by email on infovsguk@vetrotech.co.uk



Represented by